

Sensor-switched LED indoor light - Professional Line

RS PRO P2 flat S

Neutral white

EAN 4007841 069735

Article number 069735

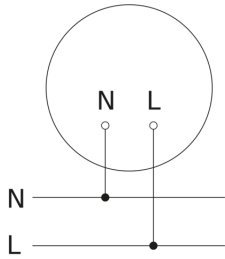


RS PRO P2 flat S

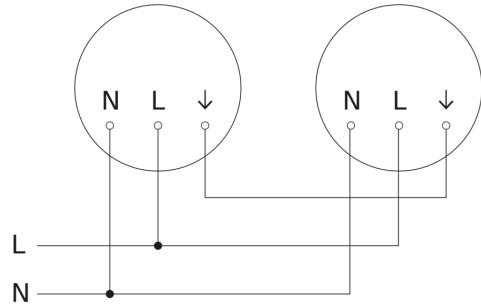
Neutral white
EAN 4007841 069735
Article number 069735



Master circuit diagram



Master/master interconnection circuit diagram



Master/slave interconnection circuit diagram

